

HE-TCITY MACHINE LIGHTING

Like the HETLED Series, also HE-TCITY is perfect for the permanent illumination of machine interiors. HE-TCITY is available in four sizes: 6 W, 12 W, 18 W, and 24 W. The HE-TCITY housing is made of aluminium encased in borosilicate glass. All HE-TCITY versions fulfil the protective requirements for IP 68.



Machine inner lighting HE-TCITY with mounting

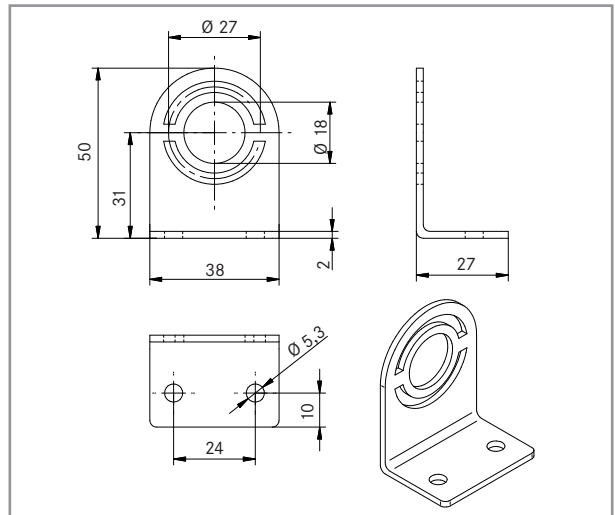
The encapsulated design is an effective barrier against foreign particles and moisture for a maintained high quality of lighting. The LEDs are designed for a long service life and high light quality, reducing maintenance work and energy costs to a considerable degree.

Advantages of using HE-TCITY lamps

- Compact measurements with maximum illumination
- Robust design for demanding applications
- 120° lighting angle
- Direct 24 V connector, integrated adapter
- Innovative fastening modes for maximised installation convenience
- Resistant to most coolants and lubricants
- High IP 68 rating
- LED technology for up to 50,000 hours of operation



Machine inner lighting HE-TCITY



Holder to screw for HE-TCITY and HE-TLED

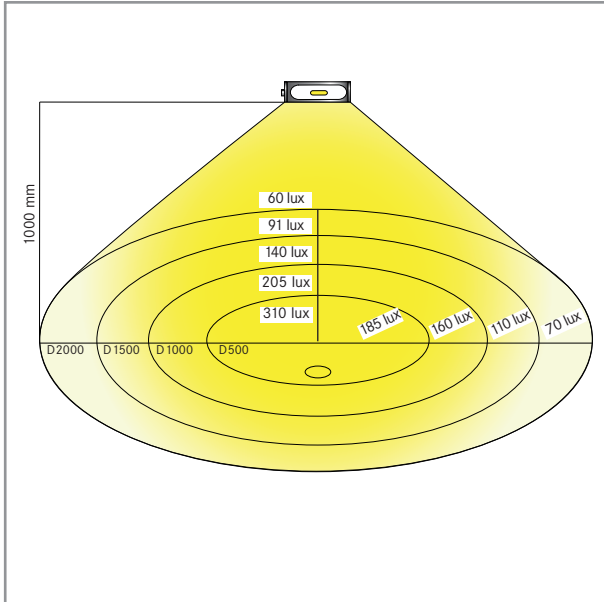


	HE-TCITY6	HE-TCITY12	HE-TCITY18	HE-TCITY24
Current 700 mA	6 W	12 W	-	-
Current 1,400 mA	-	-	18 W	24 W
Operating voltage	24 VDC	24 VDC	24 VDC	24 VDC
IEC marking	III	III	III	III
Cable length standard	1.5 m	1.5 m	1.5 m	1.5 m
LED life cycle	ca. 50,000 h	ca. 50,000 h	ca. 50,000 h	ca. 50,000 h
Number of LEDs	1	2	3	4
Light temperature	5000 K Ra65	5000 K Ra65	5000 K Ra65	5000 K Ra65
Lens	120°	120°	120°	120°
Dimensions (mm)	Ø 38x202	Ø 38x372	Ø 38x542	Ø 38x712
Fasteners	Holder / Clips	Holder / Clips	Holder / Clips	Holder / Clips
Colour	Aluminium/Glass	Aluminium/Glass	Aluminium/Glass	Aluminium/Glass
IP Class	IP68	IP68	IP68	IP68

Delivery with cable lengths 1.5m, 24 Vdc cable ends of bare wires.

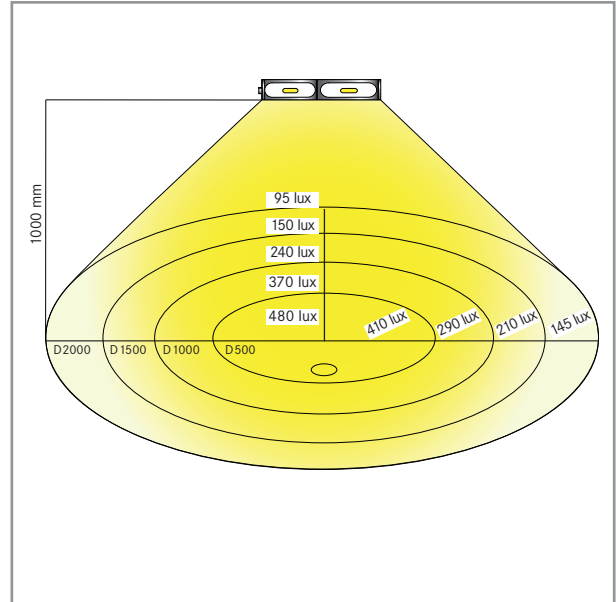
ILLUMINATION DISTRIBUTION CHARTS

HE-TCITY6



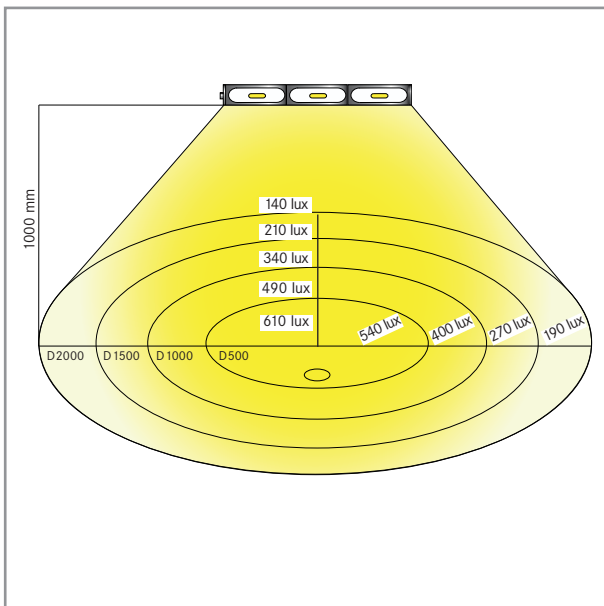
Technical details	Page 16
Lens	120°
Current	24V/700 mA
Lighting systems	HE-TCITY.6W

HE-TCITY12



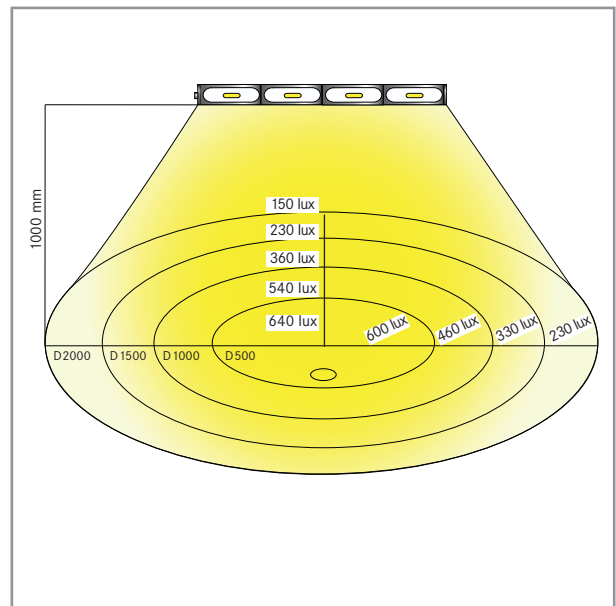
Technical details	Page 16
Lens	120°
Current	24V/700 mA
Lighting systems	HE-TCITY.12W

HE-TCITY18



Technical details	Page 16
Lens	120°
Current	24V/1400 mA
Lighting systems	HE-TCITY.18W

HE-TCITY24



Technical details	Page 16
Lens	120°
Current	24V/1400 mA
Lighting systems	HE-TCITY.24W

LIGHTING SYSTEMS
3

WORKPLACE LIGHTING
4

SPOT FITTING LIGHTING
9

MACHINE LIGHTING
17

INTEGRATED LIGHTING
19