

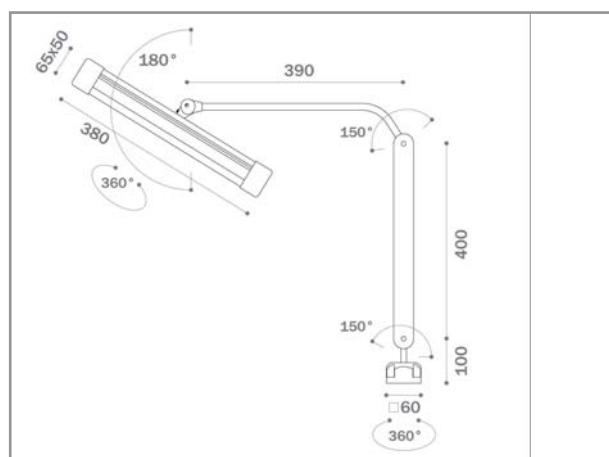
# WORKPLACE LIGHTING HE-JOB-BRLED

The HE-JOB-BRLED is an adjustable workplace lamp featuring the latest LED technology. Thanks to the highly flexible jointed arm, lighting at the workplace can be set with ease to the optimal effect.

The lamp head of aluminium complies with protection class IP 65, and the entire unit IP 40. The ON/OFF switch is fitted directly on the lamp head for ease of use.

The advantages of the HE-JOB-BRLED workplace lamps:

- Jointed arm for great flexibility
- ON/OFF switch fitted directly on the lamp head
- Integrated ballast
- Optional dimmer



HE-JOB-BRLED Dimensions

	HE-JOB-BRLED
Operating voltage	230 VAC
IEC marking	II
Cabel length	1.5 m
LED life	50 000 h
No of LEDs	24
Light temperatur	5000 K
Fasteners	4 drilled holes or optional mounting devices (optional component parts)
Colour	Aluminium
Protection class	IP40 lamp IP65 lamp head



HE-JOB-BRLED Workplace lighting for benches



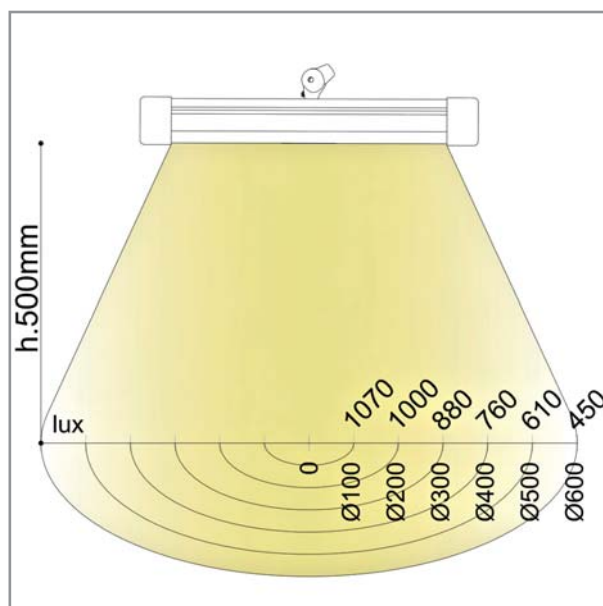
Optional mounting



ON/OFF switch on lamp head

## ILLUMINATION DISTRIBUTION CHART

### HE-JOB-BRLED



LIGHTING SYSTEMS	3
WORKPLACE LIGHTING	7
SPOT FITTING LIGHTING	8
MACHINE LIGHTING	12
INTEGRATED LIGHTING	19